

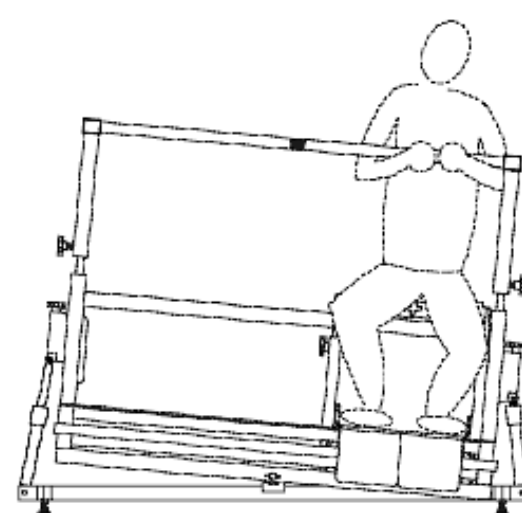
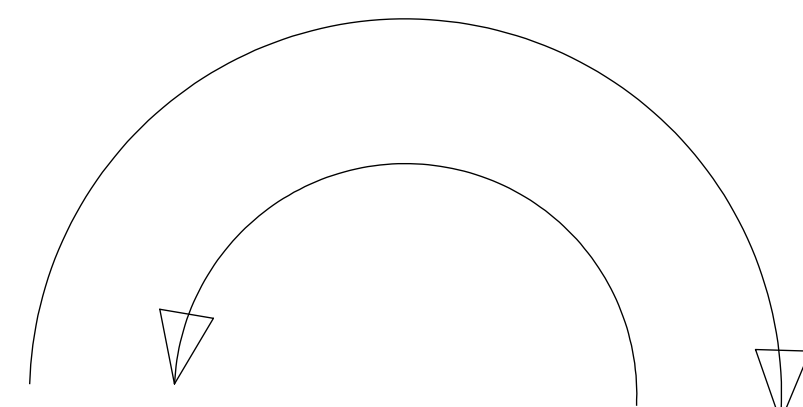
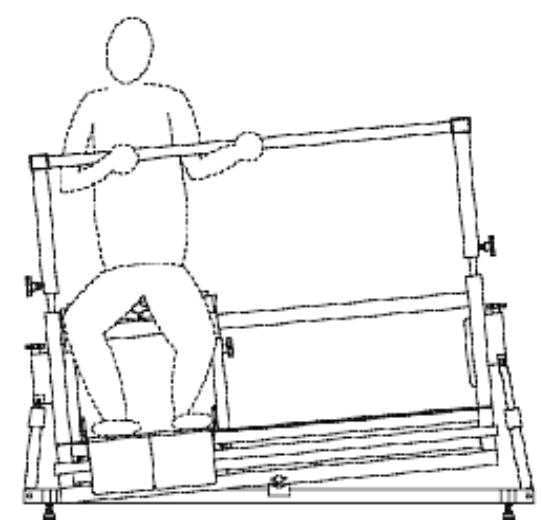
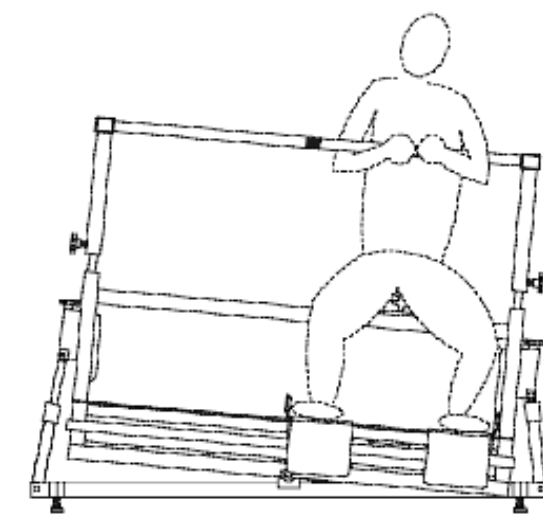
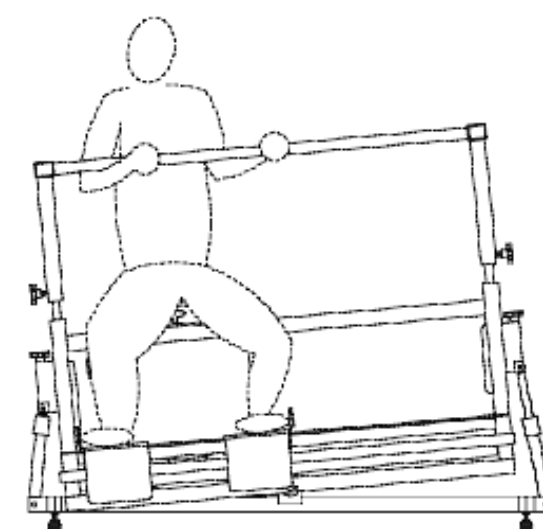
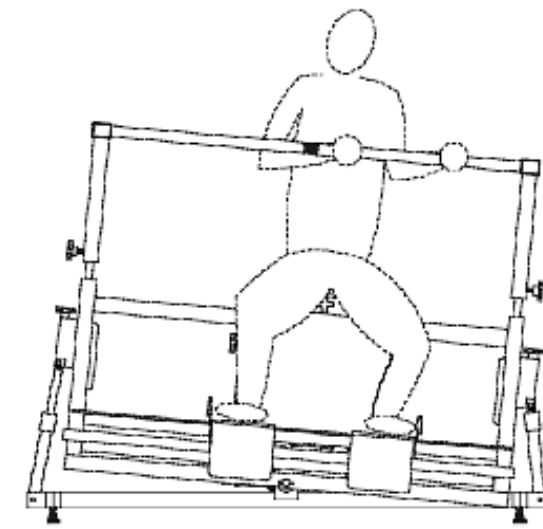
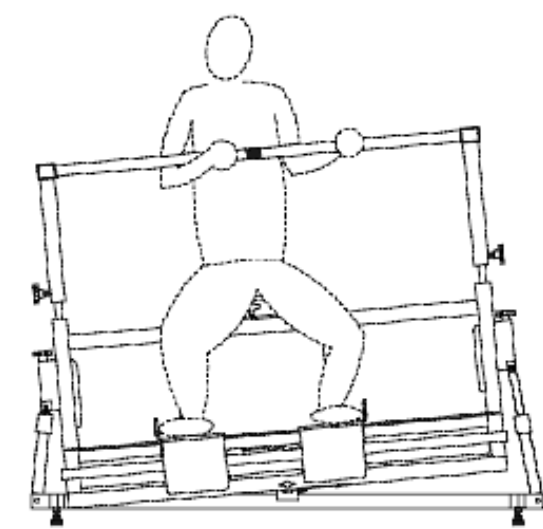
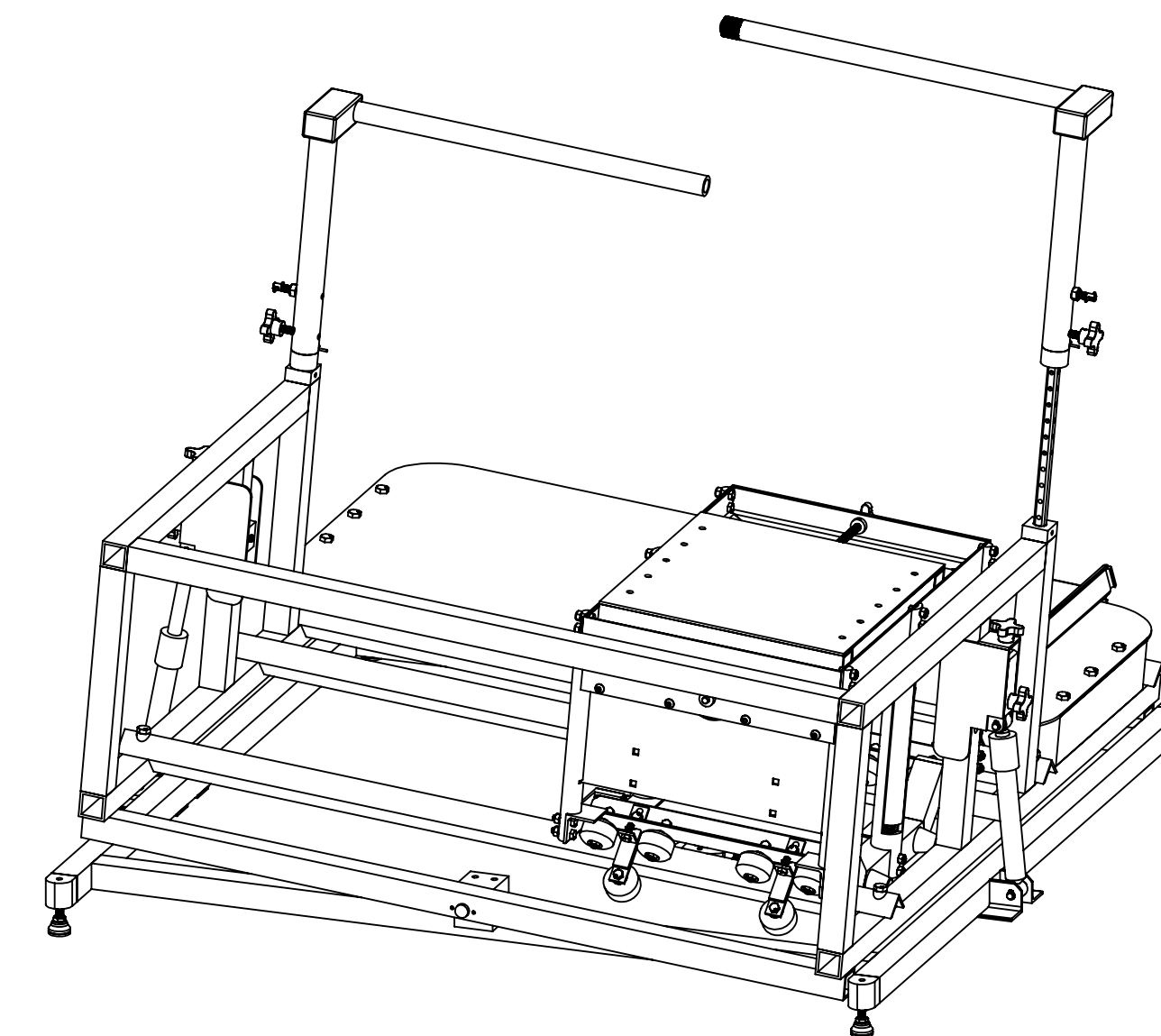
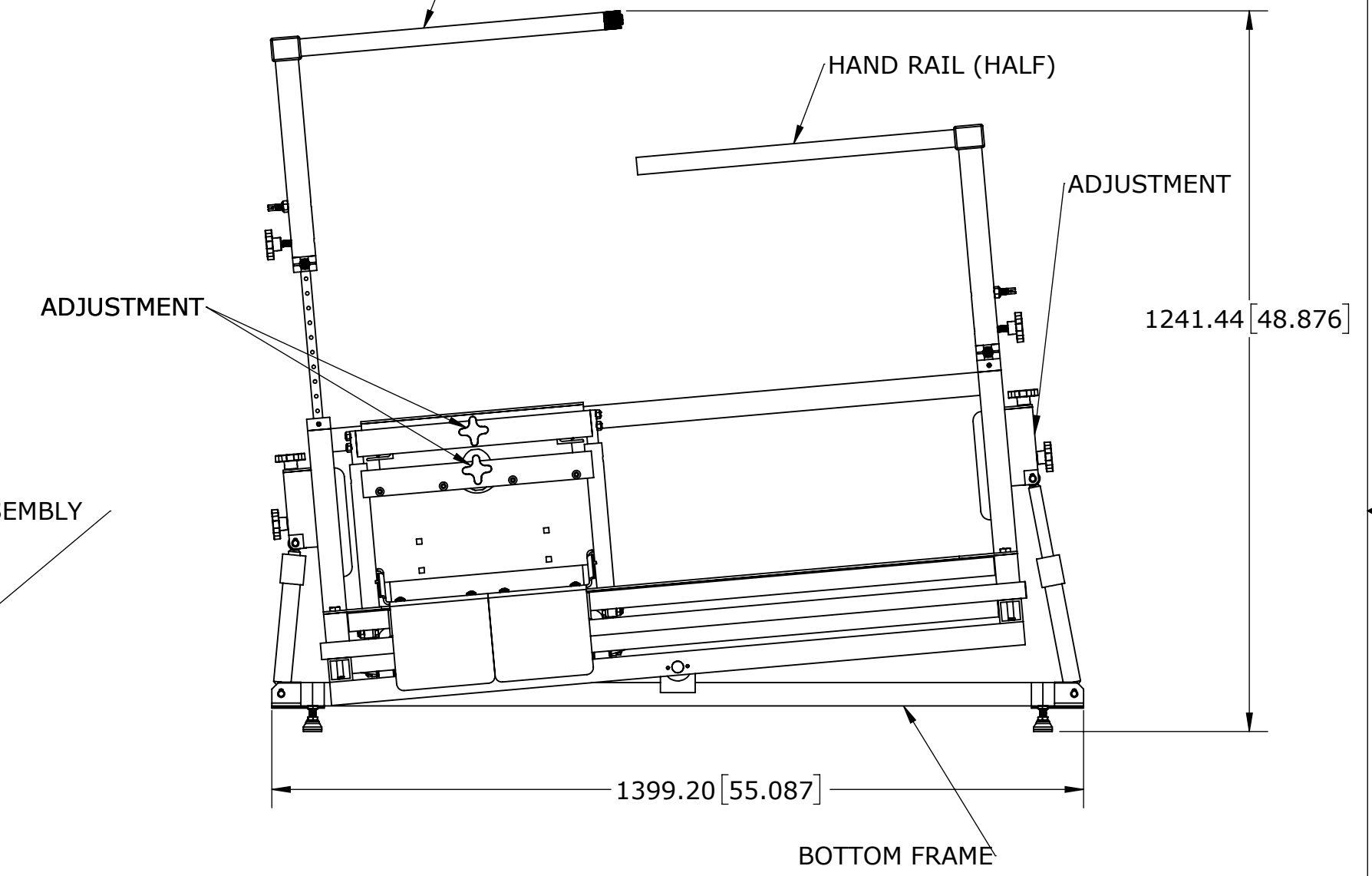
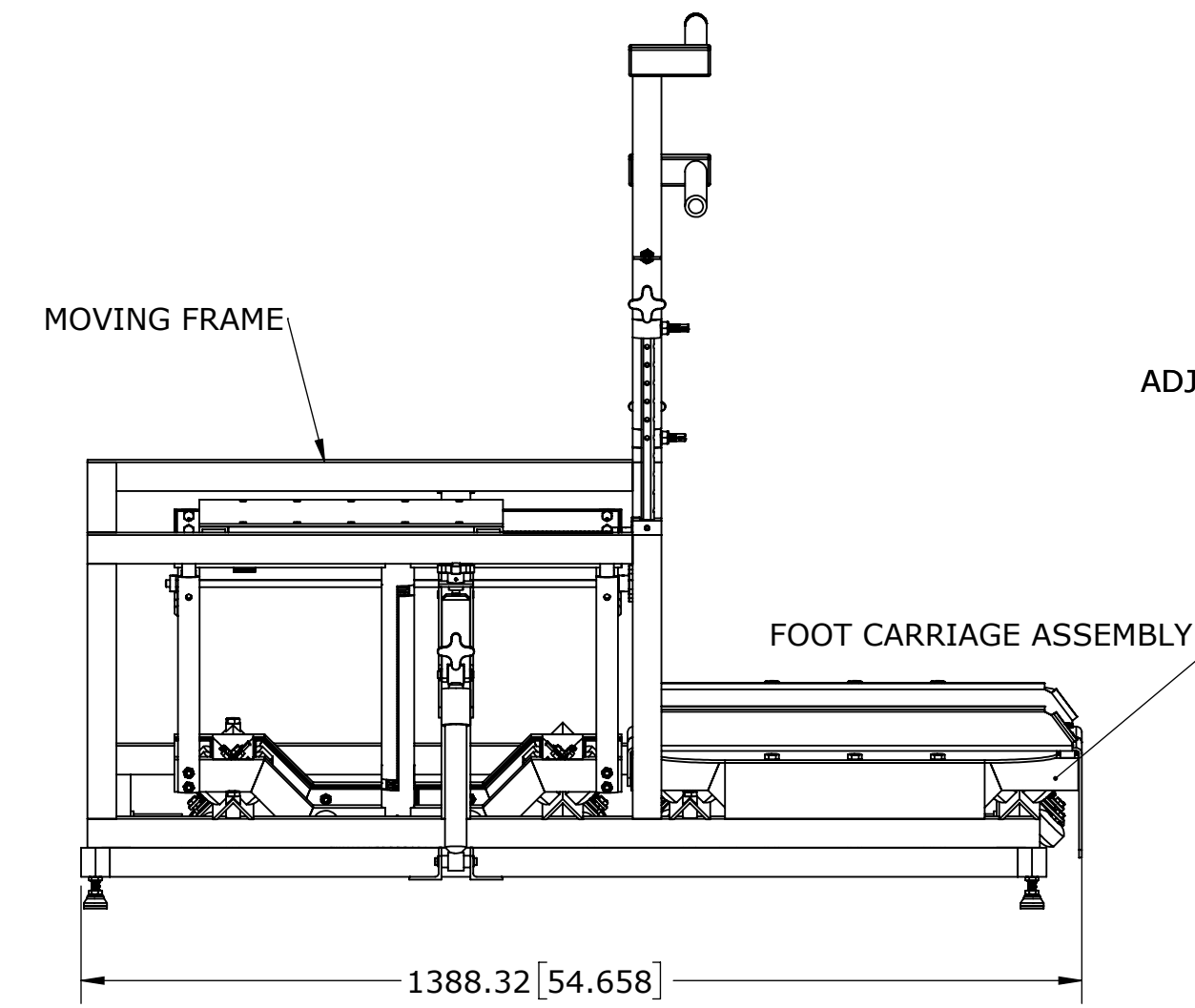
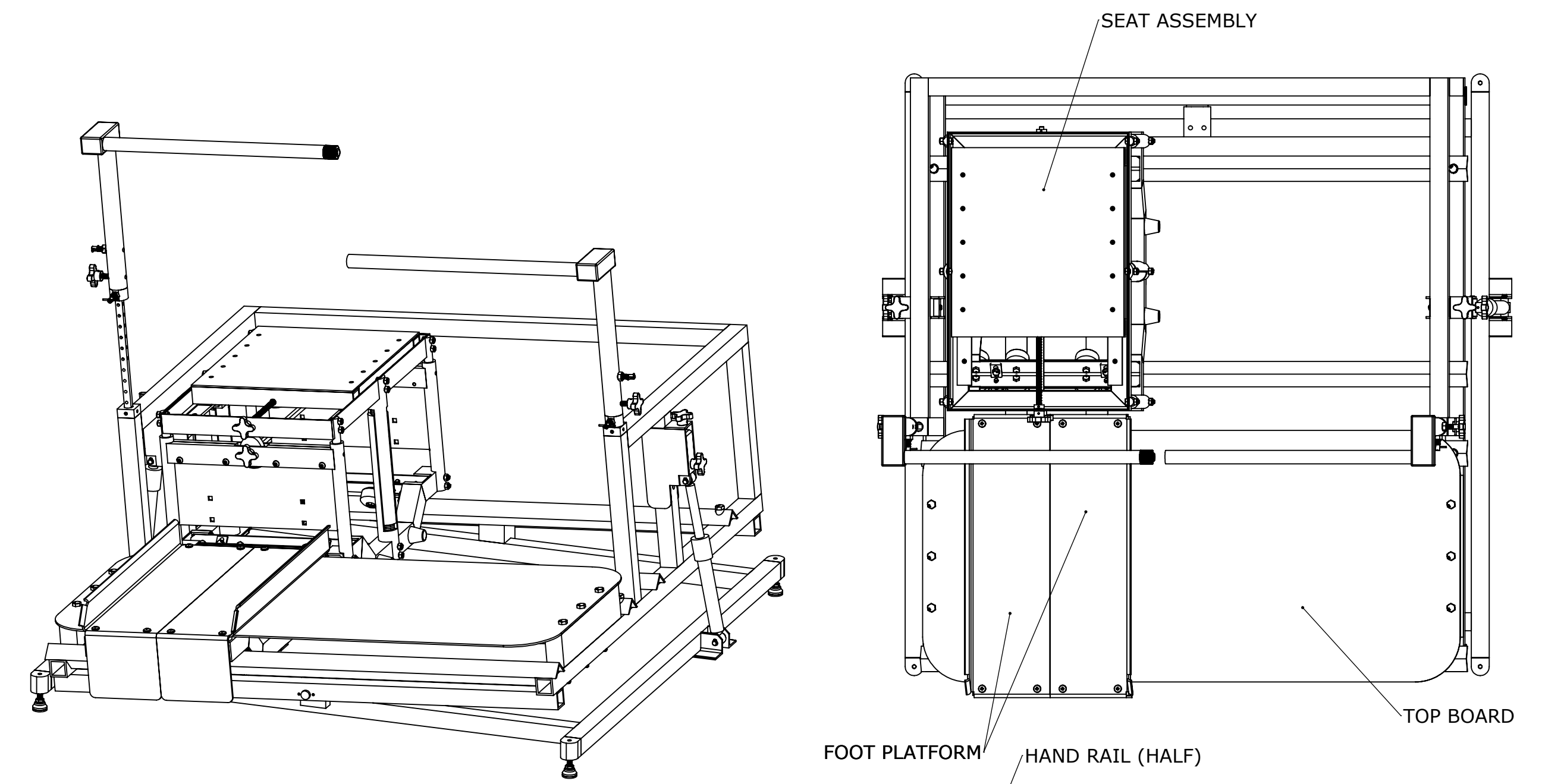
SGM-10000 GA
 Exercise Machine Assembly
 GENERAL ARRANGEMENT
 for preliminary assessment
 Rev 3

PATENT PENDING

DIMENSIONS ARE IN MILLIMETERS [inches]
 SHEET 1 OF 1
 SCALE 1:20
 3-14-2021

BRIEF DESCRIPTION

EXERCISE DEVICE INCLUDES: BOTTOM FRAME, MOVING FRAME (ROTATIONALLY MOUNTED ON BOTTOM FRAME) AND SEAT AND PAIR OF FOOT SUPPORTS (ALL THREE SLIDABLY MOUNTED ON THE MOVING FRAME). MOUNTS PERMIT RECIPROCATING MOVEMENTS OF THE MOVING FRAME, SEAT AND FOOT SUPPORTS. HAND-RAILS POSITIONED IN FRONT OF EXERCISER. EXERCISER CAN SLIDE IN OPPOSITE DIRECTIONS ALONG A LONGITUDINAL DIMENSION OF THE FRAME.



BRIEF DESCRIPTION OF SOME RAW MATERIALS AND MAIN PURCHASED COMPONENTS USED IN DESIGN	
DESCRIPTION	APPROXIMATE AMOUNT
PLATIC ROLLERS 92A 52X36 mm	24
SHOCK ABSORBERS YZB-260L	2
STEEL TUBE, SQARE 40 X 40 X 4 mm	~ 24 METERS
STEEL ANGLE 45 X 45 X 4 mm	~12 METERS
STEEL TUBE, ROUND 40 X 20 mm	~ 1 METER
STEEL TUBE, ROUND 30 X 20 mm	~ 1.5 METERS
STEEL SHEET METAL 4 mm THICK	~ 3 METER (1200.2 mm WIDE)
VARIOUS FASTERNERS (MANY LOCK NUTS AND HEX SCREWS ARE M8)	